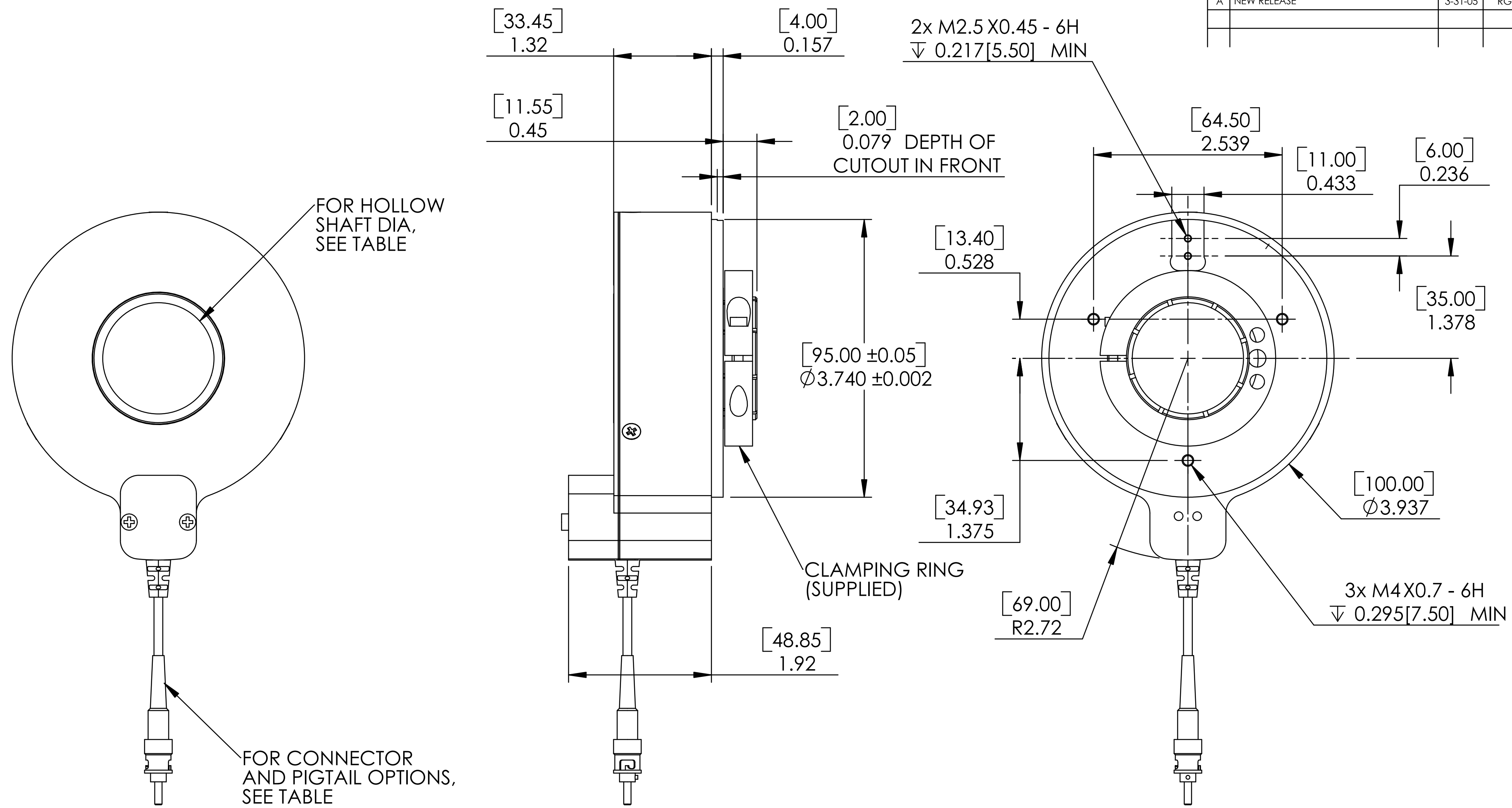


REVISIONS			
REV.	DESCRIPTION	DATE	APPROVED
A	NEW RELEASE	3-31-05	RGB



FOR HOLLOW SHAFT DIA, SEE TABLE

FOR CONNECTOR AND PIGTAIL OPTIONS, SEE TABLE

CLAMPING RING (SUPPLIED)

**PART NUMBER ORDERING CODE**

MR314- F 38 T 1R5

**RESOLUTION**  
F = 1024

**PIGTAIL LENGTH IN METERS**  
(R = DECIMAL POINT)  
1R5 = 1.5 METER

**SHAFT SIZE IN MILLIMETERS**  
38 = 38MM HOLLOW SHAFT HOLE  
( $\phi 1.4966 \pm .0005 [38.014 \pm .013]$ )

**CONNECTOR TYPE**  
T = ST

- WARNING: DO NOT DROP UNIT. DROPPING OR OTHER SEVERE SHOCK IMPACTS MAY DAMAGE UNIT.
- WARNING: KEEP CONNECTOR COVERS IN PLACE DURING STORAGE, TO PROTECT FIBER OPTIC INTERFACES.

NOTES: UNLESS OTHERWISE SPECIFIED

**PROPRIETARY AND CONFIDENTIAL**  
THE INFORMATION CONTAINED IN THIS DRAWING IS THE SOLE PROPERTY OF MICRONOR CORPORATION. ANY REPRODUCTION IN PART OR AS A WHOLE WITHOUT THE WRITTEN PERMISSION OF MICRONOR CORPORATION IS PROHIBITED.

UNLESS OTHERWISE SPECIFIED: DIMENSIONS ARE IN INCHES TOLERANCES: ANGULAR: $\pm .5^\circ$ TWO PLACE DECIMAL $\pm .02$ THREE PLACE DECIMAL $\pm .005$ FOUR PLACE DECIMAL $\pm .0010$	DRAWN R BOYER	DATE 3-31-05	NAME
INTERPRET GEOMETRIC TOLERANCING PER: MATERIAL	CHECKED	ENG APPR.	MFG APPR.
FINISH	Q.A.		
DO NOT SCALE DRAWING	COMMENTS:		

MICRONOR INC. NEWBURY PARK, CA (805) 499-0114		
TITLE: <b>OPTICAL ENCODER</b>		
SIZE <b>C</b>	DWG. NO. <b>MR314</b>	REV <b>A</b>
SCALE: 1:2	WEIGHT:	SHEET 1 OF 1